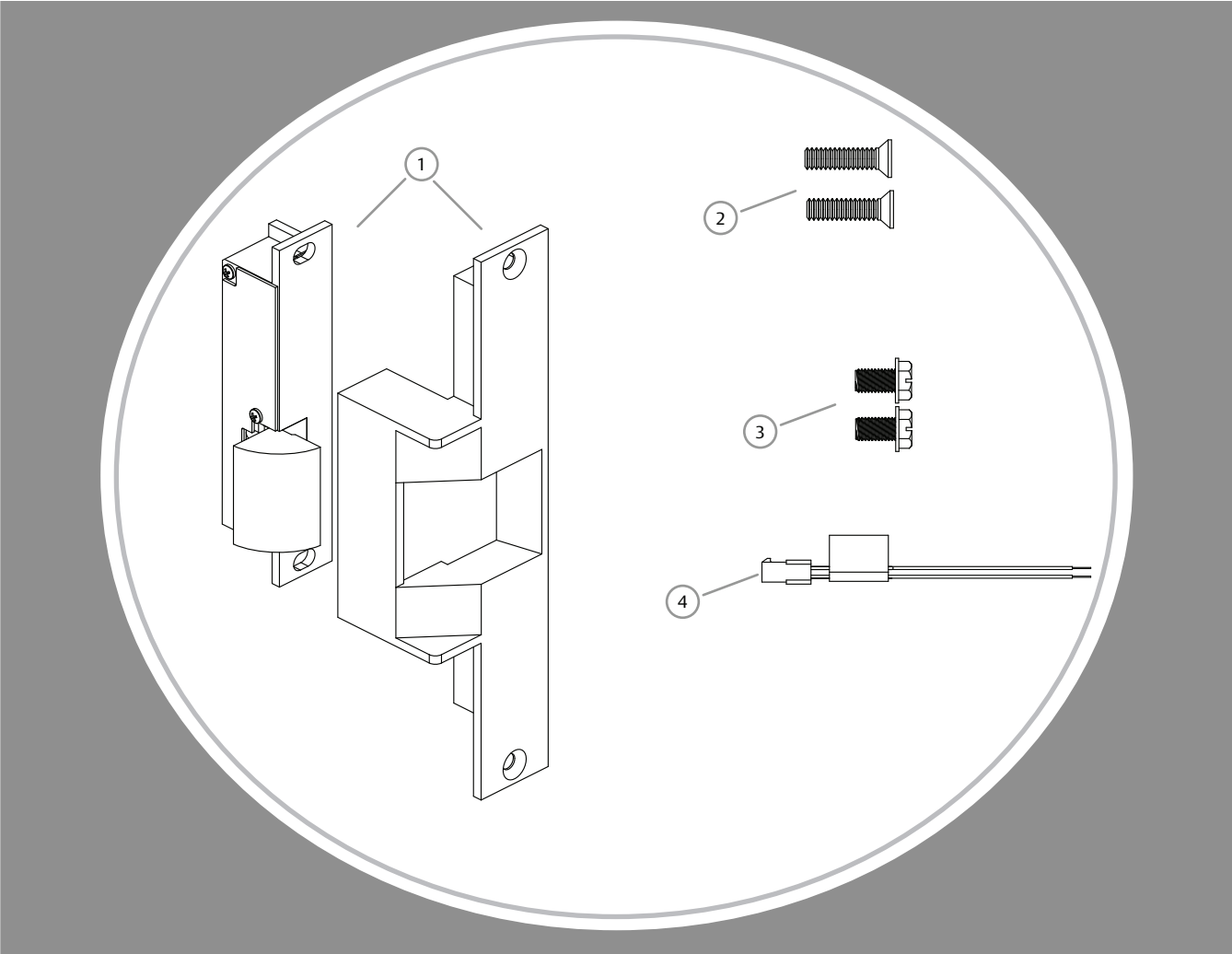


Product Components

- ① 300 Series Electric Strike Body & Faceplate
- ② #12-24 x 1/2" Faceplate Mounting Screws
- ③ #12-24 x 3/8" Body Mounting Screws
- ④ Plug In Connector

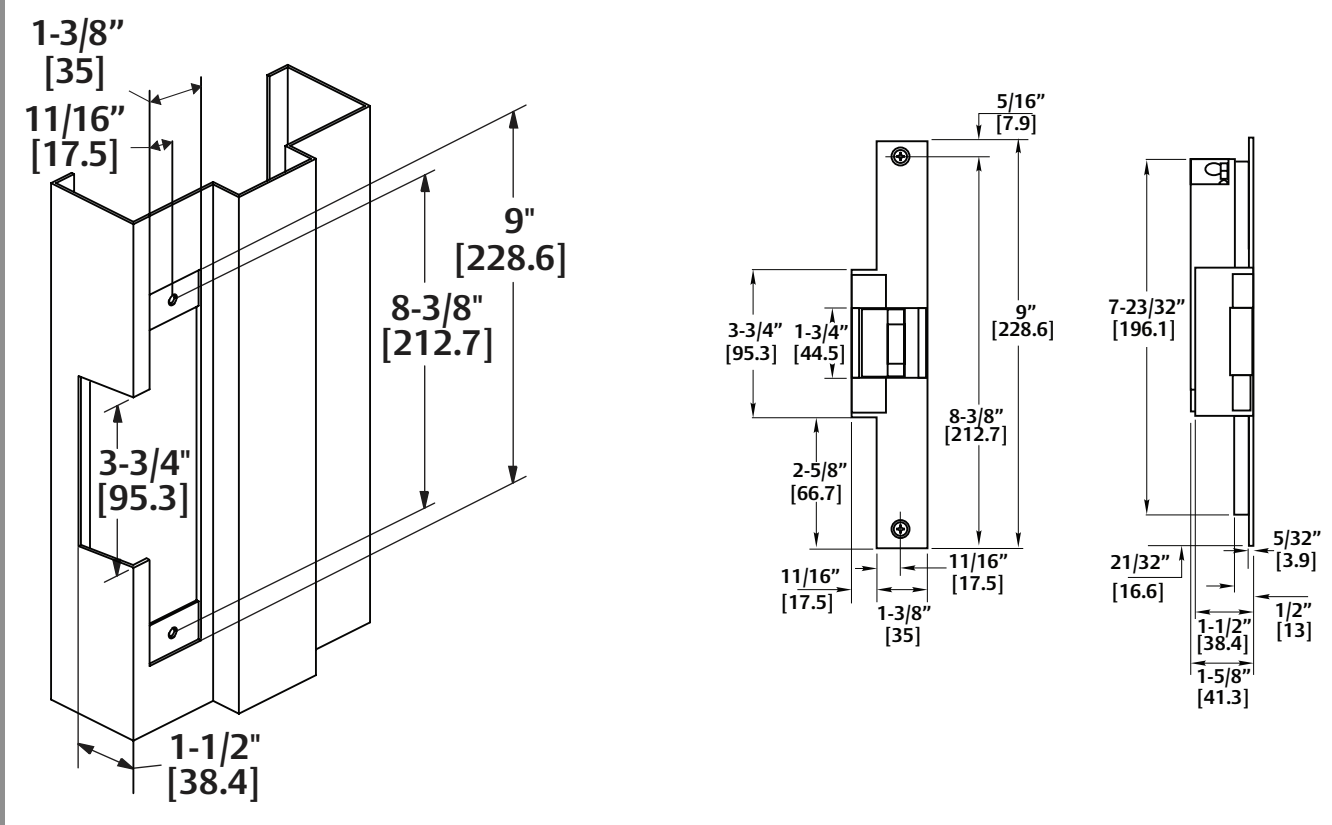


Electrical Specifications

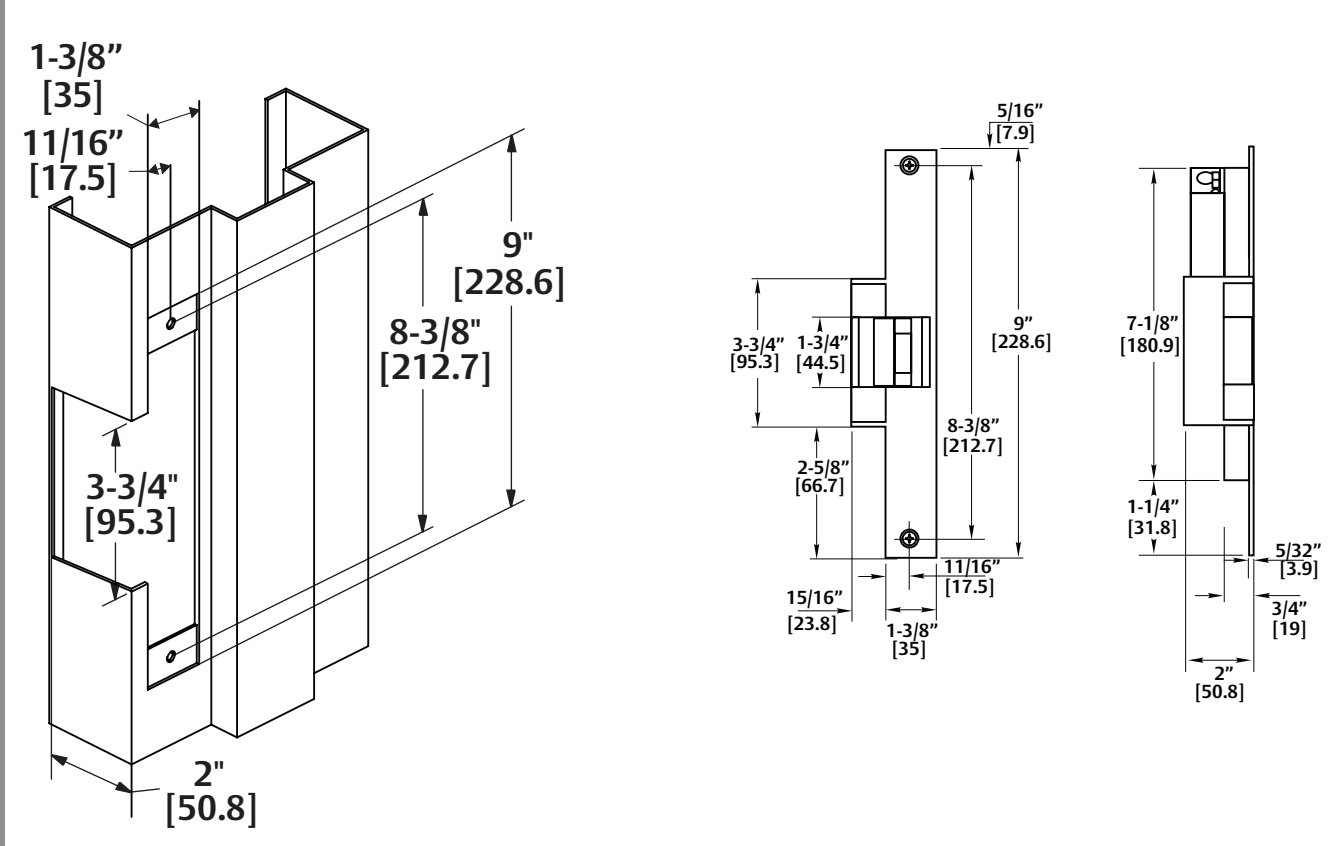
ELECTRICAL RATINGS FOR SOLENOID		
CONTINUOUS DUTY	12VDC	24VDC
Resistance in Ohms	23.5	96
Amps	.51	.25
Solenoids are rated at +/- 10% indicated value.		

MINIMUM WIRE GAUGE REQUIREMENTS		
SOLENOID VOLTAGE	12VDC	24VDC
200 feet or less	18 gauge	18 gauge
200 - 300 feet	16 gauge	18 gauge
300 - 400 feet	14 gauge	16 gauge

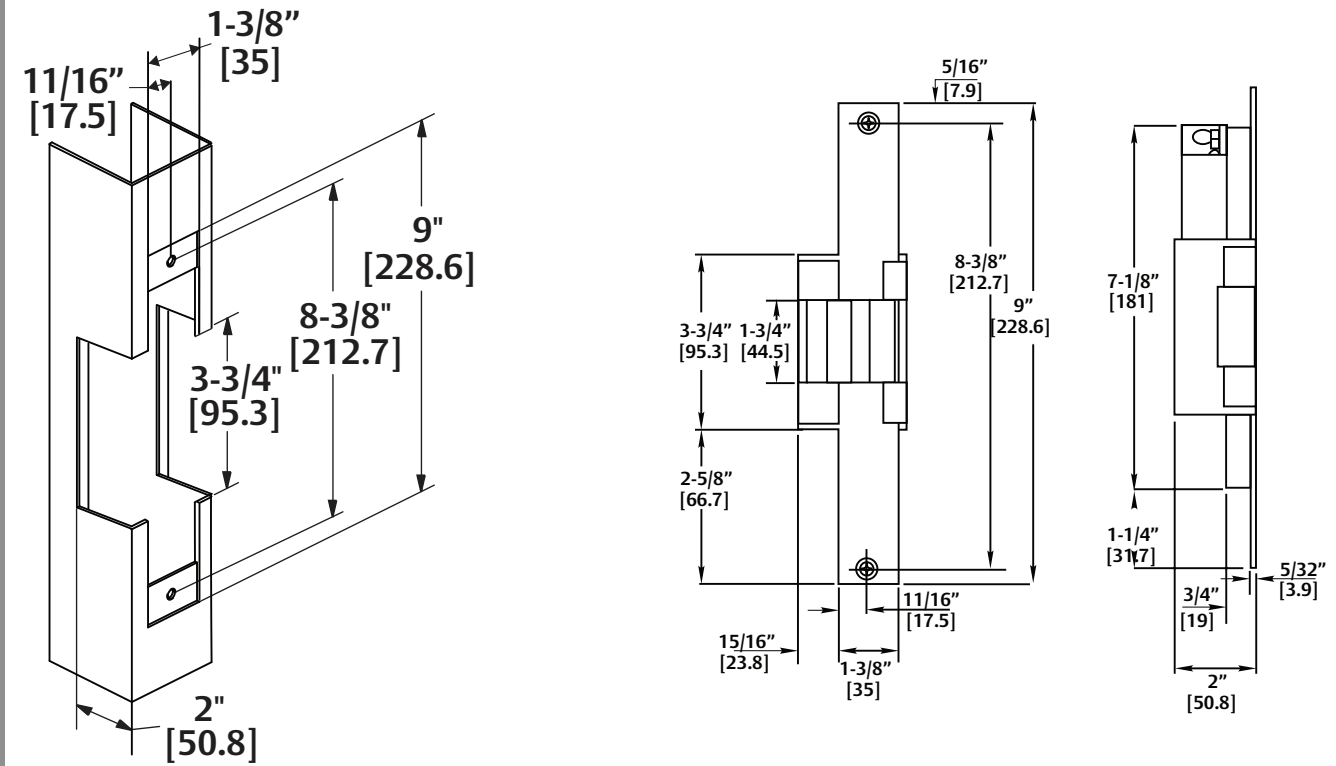
310-2 Template & Dimensions



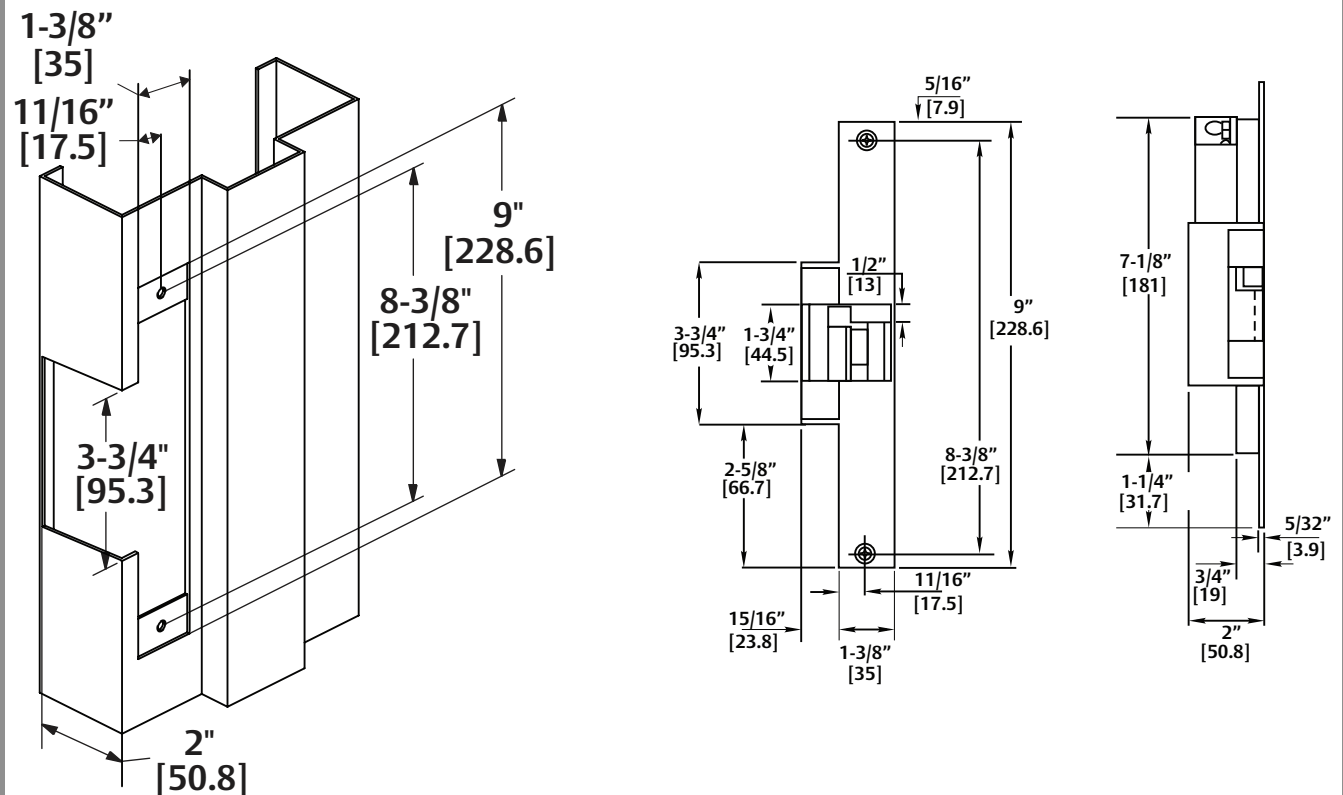
310-2 3/4 Template & Dimensions



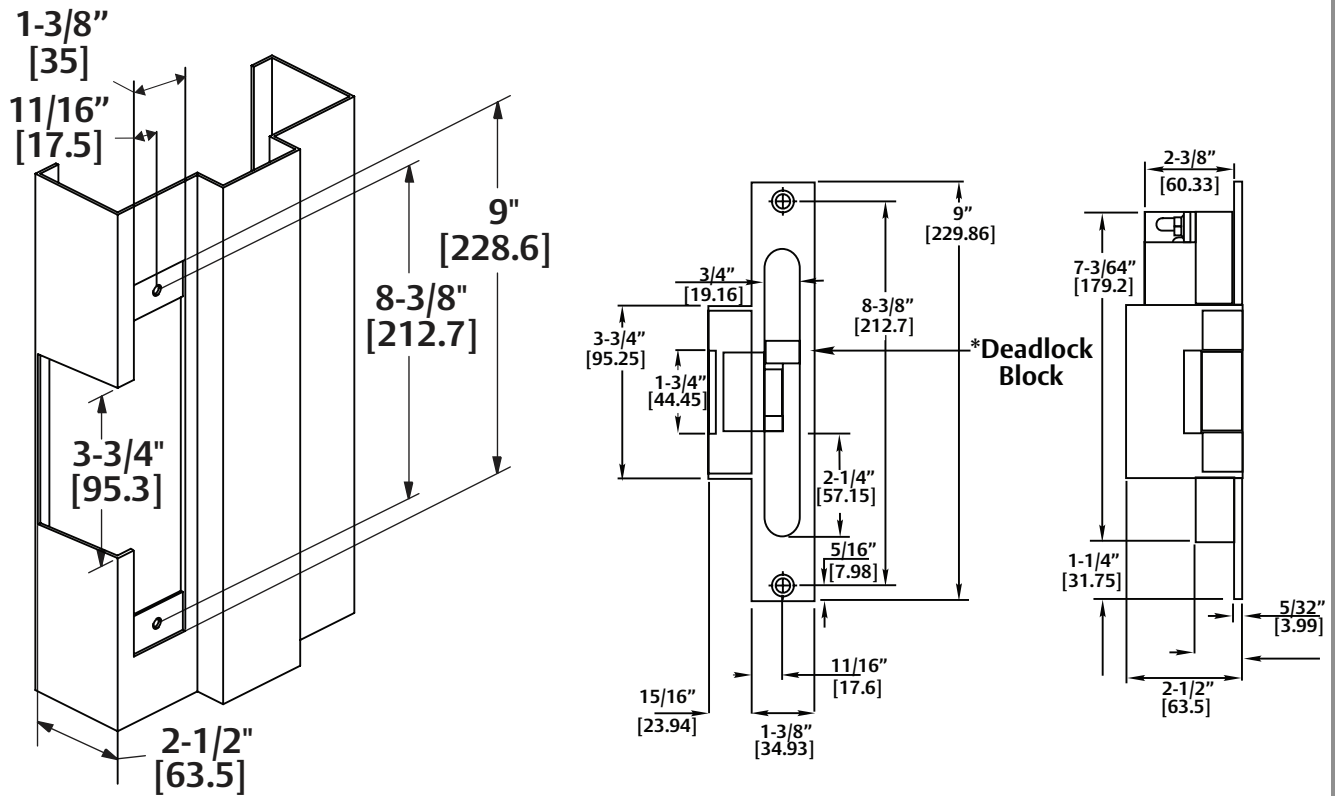
310-2 3/4 OB Template & Dimensions



310-2 3/4U Template & Dimensions



310-3-1 Template & Dimensions



*The deadlock block that depresses the auxiliary latch can be rotated 180° to move the block 1/4" [6.4] higher if necessary. Handing of the strike can be changed by moving the deadlock block and cavity plug to the opposite cavities in the face plate.