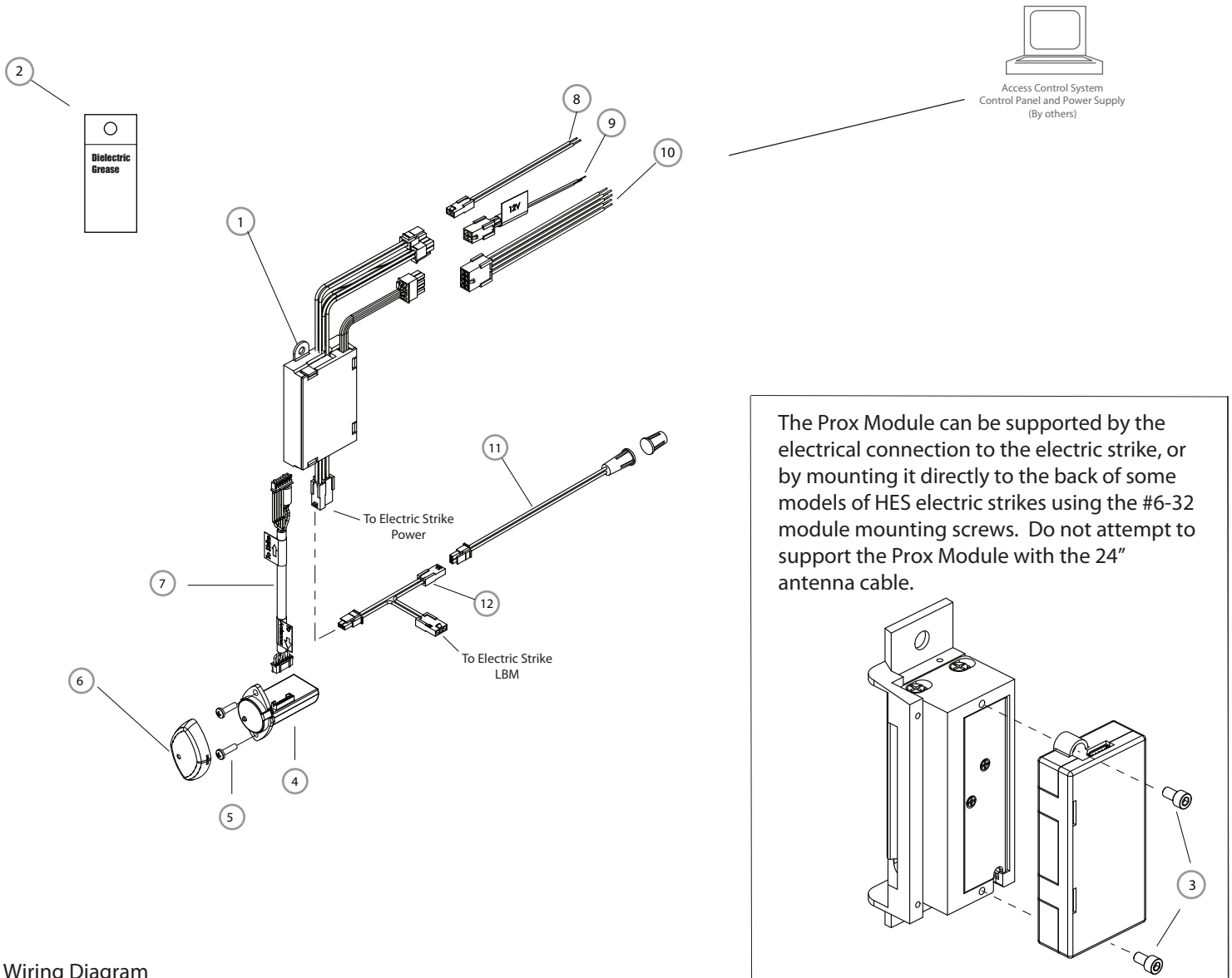


- | | |
|---|---------------------------------------|
| ① Prox Module | ⑨ 4 pin 12V Strike Power Pigtail |
| ② Dielectric Grease (apply to connections for humid applications) | ⑩ 8 pin Connector Prox Module Pigtail |
| ③ #6-32 Module Mounting Screws (for optional strike mount) | ⑪ Door Position Sensor (DPS) |
| ④ Reader/Antenna Body | ⑫ DPS/LBM adapter |
| ⑤ Reader/Antenna Mounting Screws | |
| ⑥ Reader/Antenna Cover | |
| ⑦ 24" Antenna Cable (connecting reader/antenna and Prox Module) | |
| ⑧ 2 pin DPS & LBM Pigtail Connector | |



The Prox Module can be supported by the electrical connection to the electric strike, or by mounting it directly to the back of some models of HES electric strikes using the #6-32 module mounting screws. Do not attempt to support the Prox Module with the 24" antenna cable.

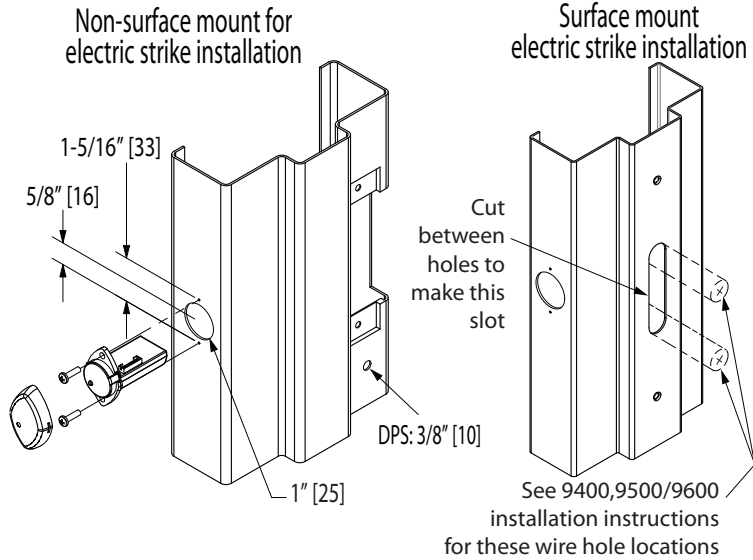
Wiring Diagram

<table border="1"> <thead> <tr> <th colspan="2">Prox Module Electrical Specifications</th> </tr> </thead> <tbody> <tr> <td>Operating Voltage</td> <td>12VDC +/- 20%</td> </tr> <tr> <td>Operating Current</td> <td>125 mA Max @ 12VDC</td> </tr> <tr> <th colspan="2">Cable Detail</th> </tr> <tr> <td>Distance to Host</td> <td>500 ft Max</td> </tr> <tr> <td>Recommended Type</td> <td>18-24 AWG</td> </tr> <tr> <td colspan="2">(Dependent on distance) Stranded and shielded</td> </tr> <tr> <th colspan="2">Certifications</th> </tr> <tr> <td>Compliance</td> <td>FCC Part 15/IC Class B</td> </tr> <tr> <th colspan="2">Door Position Sensor (DPS)</th> </tr> <tr> <td>Contact Rating</td> <td>300ma @ 30VDC</td> </tr> <tr> <td>Switch Type</td> <td>Form A (SPST) Reed</td> </tr> </tbody> </table>	Prox Module Electrical Specifications		Operating Voltage	12VDC +/- 20%	Operating Current	125 mA Max @ 12VDC	Cable Detail		Distance to Host	500 ft Max	Recommended Type	18-24 AWG	(Dependent on distance) Stranded and shielded		Certifications		Compliance	FCC Part 15/IC Class B	Door Position Sensor (DPS)		Contact Rating	300ma @ 30VDC	Switch Type	Form A (SPST) Reed	<table border="1"> <thead> <tr> <th colspan="2">Prox Module credential specifications</th> </tr> </thead> <tbody> <tr> <td>Card reader</td> <td>HID® 13.56 MHz</td> </tr> <tr> <td colspan="2">Interfaces with any Weigand-compatible access control system</td> </tr> <tr> <th colspan="2">Supported credential formats</th> </tr> <tr> <td colspan="2">Recognizes HID 26 - 39 bit formats</td> </tr> <tr> <td colspan="2">Supports HID 125 kHz credentials</td> </tr> </tbody> </table>	Prox Module credential specifications		Card reader	HID® 13.56 MHz	Interfaces with any Weigand-compatible access control system		Supported credential formats		Recognizes HID 26 - 39 bit formats		Supports HID 125 kHz credentials		<table border="1"> <thead> <tr> <th colspan="2">8 Pin Connector (Prox Module) Pigtail ⑩</th> </tr> </thead> <tbody> <tr> <td>Red</td> <td>(+) Board Power</td> </tr> <tr> <td>Black</td> <td>(-) Board Power</td> </tr> <tr> <td>Green</td> <td>Data 0</td> </tr> <tr> <td>White</td> <td>Data 1</td> </tr> <tr> <td>Yellow</td> <td>LED/Buzzer</td> </tr> <tr> <td>Blue</td> <td>Not Used</td> </tr> <tr> <td>Orange</td> <td>Not Used</td> </tr> <tr> <td>Brown</td> <td>Not Used</td> </tr> </tbody> </table>	8 Pin Connector (Prox Module) Pigtail ⑩		Red	(+) Board Power	Black	(-) Board Power	Green	Data 0	White	Data 1	Yellow	LED/Buzzer	Blue	Not Used	Orange	Not Used	Brown	Not Used	<table border="1"> <thead> <tr> <th colspan="2">4 Pin Connector (12V Strike Power) ⑨</th> </tr> </thead> <tbody> <tr> <td>Red (12VDC +)</td> <td>Strike Power</td> </tr> <tr> <td>Black (-)</td> <td>Strike Power</td> </tr> </tbody> </table> <table border="1"> <thead> <tr> <th colspan="2">2 pin Connector (Strike Module) ⑧</th> </tr> </thead> <tbody> <tr> <td>Tan</td> <td>Common</td> </tr> <tr> <td>Pink</td> <td>Door Closed and Latch Engaged</td> </tr> </tbody> </table>	4 Pin Connector (12V Strike Power) ⑨		Red (12VDC +)	Strike Power	Black (-)	Strike Power	2 pin Connector (Strike Module) ⑧		Tan	Common	Pink	Door Closed and Latch Engaged
Prox Module Electrical Specifications																																																																					
Operating Voltage	12VDC +/- 20%																																																																				
Operating Current	125 mA Max @ 12VDC																																																																				
Cable Detail																																																																					
Distance to Host	500 ft Max																																																																				
Recommended Type	18-24 AWG																																																																				
(Dependent on distance) Stranded and shielded																																																																					
Certifications																																																																					
Compliance	FCC Part 15/IC Class B																																																																				
Door Position Sensor (DPS)																																																																					
Contact Rating	300ma @ 30VDC																																																																				
Switch Type	Form A (SPST) Reed																																																																				
Prox Module credential specifications																																																																					
Card reader	HID® 13.56 MHz																																																																				
Interfaces with any Weigand-compatible access control system																																																																					
Supported credential formats																																																																					
Recognizes HID 26 - 39 bit formats																																																																					
Supports HID 125 kHz credentials																																																																					
8 Pin Connector (Prox Module) Pigtail ⑩																																																																					
Red	(+) Board Power																																																																				
Black	(-) Board Power																																																																				
Green	Data 0																																																																				
White	Data 1																																																																				
Yellow	LED/Buzzer																																																																				
Blue	Not Used																																																																				
Orange	Not Used																																																																				
Brown	Not Used																																																																				
4 Pin Connector (12V Strike Power) ⑨																																																																					
Red (12VDC +)	Strike Power																																																																				
Black (-)	Strike Power																																																																				
2 pin Connector (Strike Module) ⑧																																																																					
Tan	Common																																																																				
Pink	Door Closed and Latch Engaged																																																																				

Installation Directions

Prepare Frame and Strike

1. Prepare door jamb per the Installation Instructions provided with the electric strike.
2. On the outside side of the frame drill a 1" diameter hole for reader/antenna install per the image below. The reader/antenna may be positioned as desired, within the limits of the 24" cable connected to the Prox Module.



3. Drill a 3/8" hole for the door position switch (DPS) as required. Note that the DPS may be positioned as desired, within the limits of its 12" cable. If necessary (e.g. wood frames), drill a channel from the DPS to the electric strike to accommodate the 12" cable. Next drill a matching 3/8" hole in the door and install the press-fit magnet so it will make contact with the DPS.

Distance In ft, Round Trip	12VDC	24VDC
100' or less	24 Gauge	24 Gauge
100' to 200'	22 Gauge	24 Gauge
200' to 300'	22 Gauge	24 Gauge
300' to 400'	22 Gauge	22 Gauge
400' to 500'	20 Gauge	22 Gauge

Connect Components and Wiring

5. Select the 12V AC/DC pigtail.
6. Verify that the wires running from the control panel are of adequate wire gauge (see Wire Gauge Diagram below). Connect the wire leads of the three pigtails provided (items 8, 9, & 10) to the control panel wiring based on the wiring diagram on page 1 and the appropriate termination at the control panel.
7. Mount the door position switch (DPS) into the frame. Route the cable back to the electric strike and connect it to the 2 pin connector of item 12, adapter cable. Connect the 3 pin connector from the strike to the 3 pin connector of item 12. Connect the remaining 2 pin connector of item 12 to the 2 pin connector of the RF Prox. The LBM & DPS are wired in series--a 'closed' electrical circuit depicts a closed door and extended latchbolt into the integrated electric strike.
8. Secure the reader/antenna mounting plate to the frame using the #6 sheet metal screws provided. Connect the 24" cable to the reader/antenna, snap the reader/antenna to the reader/antenna mounting plate and pull the 24" cable through to the Prox Module.
9. Attach all the 8, 4 and 2 pin connectors to the equivalent pigtail connectors routed from the control panel. Dielectric grease can be applied to the pigtail electrical terminals if used in a humid environment.
10. Slide the Prox module through either the access slot or the electric strike cutout depicted in the illustrations to the left.
11. Install the electric strike unit in the frame as specified in the specific strike installation instructions.

Testing and Operation

12. When power is supplied, the LED will turn red, while the beeper beeps 3 times. This sequence indicates the micro-controller is operating properly.
13. Present a Prox ID card to the reader/antenna. The LED will turn green, while the beeper beeps once. This indicates that the card was read successfully. Simultaneously, the keeper will click open. This indicates that communication between the control panel and the electric strike is operational.

Warning: Changes or modification to this device not expressly approved by HES, Inc., could void the user's authority to operate the equipment.
NOTE: This equipment has been tested and found to comply within the limits for a class [B] digital device, pursuant to Part 15 of the FCC Rules. These limits are designed to provide reasonable protection against harmful interference in a residential installation. This equipment generates, uses, and can radiate radio frequency energy and, if not installed and used in accordance with the instructions, may cause harmful interference to radio or television reception, which can be determined by turning the equipment off and on. The user is encouraged to try to correct the interference by one or more of the following measures:

- Reorient or relocate the receiving antenna.
- Increase the separation between the equipment and receiver.
- Connect the equipment into an outlet on a circuit different from that to which the receiver is connected.
- Consult the dealer or an experienced radio/TV technician for help

This class [B] digital apparatus meets all requirements of the Canadian Interference Causing Equipment Regulations. Operation is subject to the following two conditions: (1) this device may not cause harmful interference, and (2) this device must accept any interference received, including interference that may cause undesired operation. Cet appareillage numérique de la classe [B] répond à toutes les exigences de l'interférence canadienne causant des réglemets d'équipement. L'opération est sujette aux deux conditions suivantes: (1) ce dispositif peut ne pas causer l'interférence nocive, et (2) ce dispositif doit accepter n'importe quelle interférence reçue, y compris l'interférence quipeut causer 'opération peu désirée.