

**SECURITRON SPECIFICATION
Z BRACKET FOR ARMATURE
MOUNTING (IN SWING DOORS
AND GATES)**

PRODUCT DATA SHEET

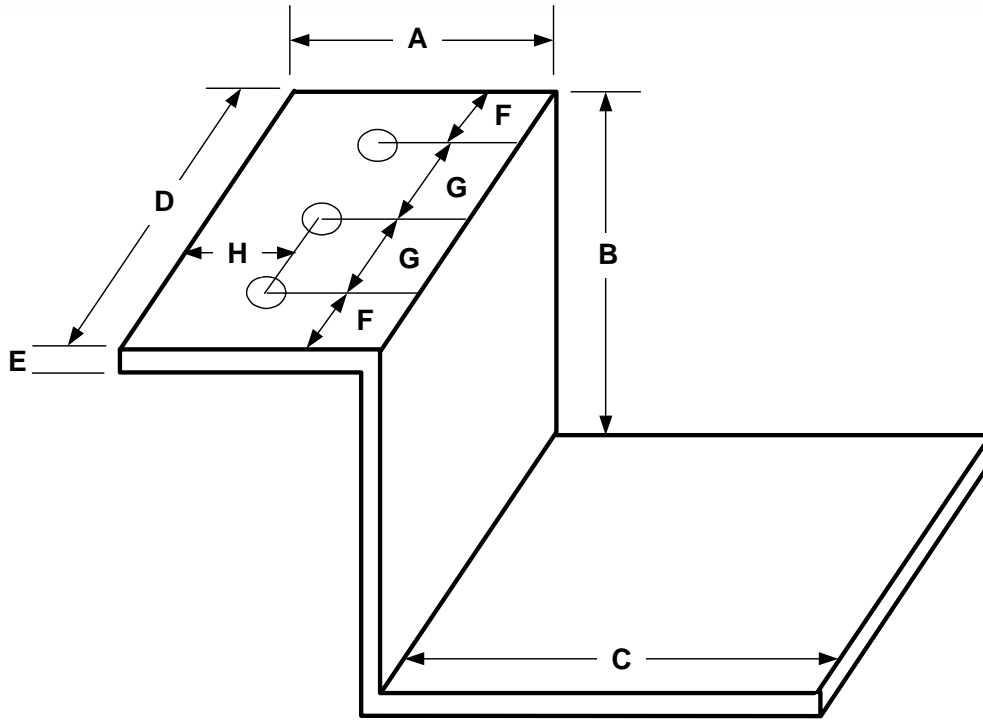
PRODUCT NAME **Z-32, Z-34, Z-62, Z-82 Brackets**

<p>System Description Basic use Limitations</p>	<p>The Securitron Magnalock Corporation Z Bracket allows the mounting of magnetic locks on inswinging doors and gates. Z Brackets are separately available for the 32, 34, 62 and 82 series "F" version Magnalocks. The bracket includes a cover which gives the installation an attractive finished appearance.</p>
<p>References</p>	<p>ISO 9001</p>
<p>Warranty</p>	<p>SECURITRON MAGNALOCK CORPORATION warrants that it will replace at customer's request, at any time for any reason, products manufactured and branded by SECURITRON.</p> <p>SECURITRON will use its best efforts to ship a replacement product by next day air freight at no cost to the customer within 24 hours of SECURITRON's receipt of the product from customer. If the customer has an account with SECURITRON or a valid credit card, the customer may order an advance replacement product, whereby SECURITRON will charge the customer's account for the price of the product plus next day air freight, and will credit back to the customer the full amount of the charge, including outbound freight, upon SECURITRON's receipt of the original product from the customer.</p> <p>SECURITRON's sole and exclusive liability, and customer's sole remedy, is limited to the replacement of the SECURITRON product when delivered to SECURITRON's facility (freight and insurance charges prepaid by customer). The replacement, at SECURITRON's sole option, may be the identical item or a newer unit which serves as a functional replacement. In the event that the product type has become obsolete in SECURITRON's product line, this MAGNACARE warranty will not apply. This MAGNACARE warranty also does not apply to custom, built to order, or non-catalog items, items made by</p>

SECURITRON
(800) MAGLOCK • www.securitron.com • info@securitron.com

Warranty Continued	<p>others (such as batteries), returns for payment, distributor stock reductions, returns seeking replacement with anything other than the identical product, or products installed outside of the United States or Canada. This MAGNACARE warranty also does not apply to removal or installation costs.</p> <p>SECURITRON will not be liable to the purchaser, the customer or anyone else for incidental or consequential damages arising from any defect in, or malfunction of, its products. SECURITRON does not assume any responsibility for damage or injury to person or property due to improper care, storage, handling, abuse, misuse, or an act of God.</p> <p>EXCEPT AS STATED ABOVE, SECURITRON MAKES NO WARRANTIES, EITHER EXPRESS OR IMPLIED, AS TO ANY MATTER WHATSOEVER, INCLUDING WITHOUT LIMITATION THE CONDITION OF ITS PRODUCTS, THEIR MERCHANTABILITY OR FITNESS FOR ANY PARTICULAR PURPOSE.</p>
Other Information	N/A
Accessories	“F” version Securitron Magnalocks.
Finishes	<p>The assembly is available in three finishes. The part numbers are:</p> <ul style="list-style-type: none"> • Z-32/34/62/82SS (Brushed stainless steel cover) • Z-32/34/62/82CL (Clear anodized aluminum) • Z-32/34/62/82BK (Black anodized aluminum)
Installation	<p>Please refer to instruction manual (Securitron part number: 500-10800) Instruction manual can also be found on our website: www.securitron.com</p>

SECURITRON MAGNALOCK CORP., 550 Vista Blvd., Sparks NV 89434 USA
 Tel: (775) 355-5625 • (800) MAGLOCK • Fax: Mkt. (775) 355-5636, Fax: Admin. (775) 355-5633
 Website: www.securitron.com • E-mail: info@securitron.com

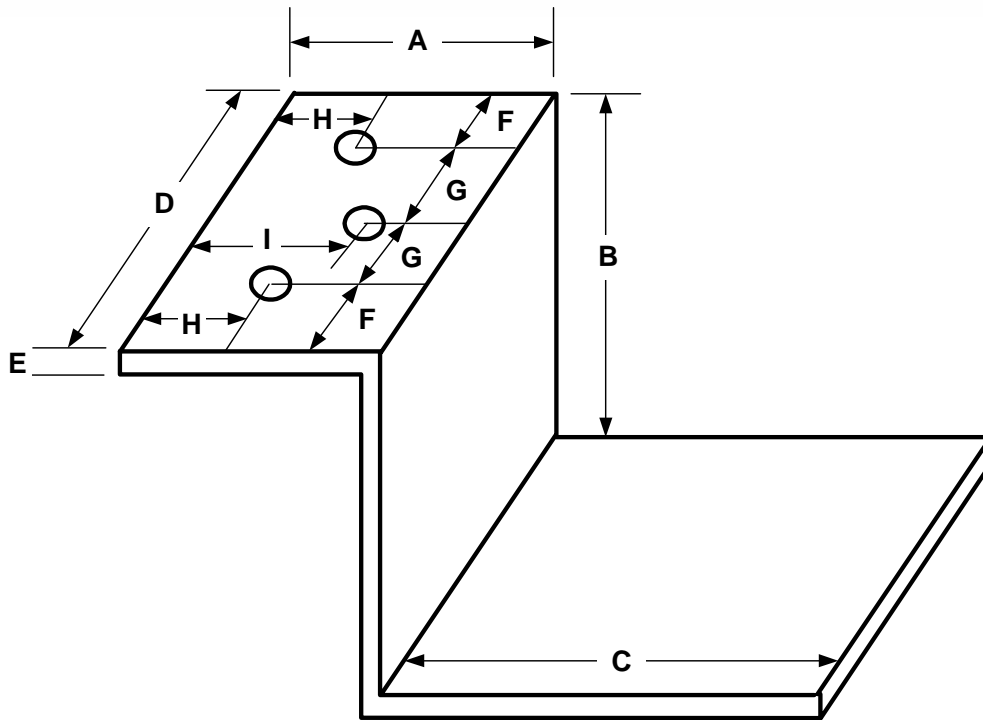


Z-32							
A	B	C	D	E	F	G	H
1.75	2.313	3.25	8.40	0.375	2.2	2.0	0.75

Z-32 Bracket (inswing and gate installation):

The Z-32 Bracket shall be produced by an ISO 9001 certified manufacturer. The Z-32 Bracket shall be available for the 32 series “F” version Securitron Magnalock. The Z-32 Bracket shall allow mounting on an inswinging door. The Z Bracket shall include a cover which gives the installation an architecturally attractive finished appearance. The Z-32 Bracket shall be available in three different finishes: Brushed Stainless Steel, Clear Anodized Aluminum and Black Anodized Aluminum.

Securitron model Z-32 Bracket.



Z-34								
A	B	C	D	E	F	G	H	I
1.75	1.95	3	10.25	0.375	1.87	3.25	0.50	0.75
Z-62/Z-82								
A	B	C	D	E	F	G	H	I
2.50	2.563	3.87	8.40	0.375	2.20	2.0	0.75	1.50

Z-34/62/82 Bracket (inswing and gate installation):

The Z-34/62/82 Bracket shall be produced by an ISO 9001 certified manufacturer. The Z-34/62/82 Bracket shall be separately available for the 34, 62 and 82 series "F" version Securitron Magnalocks. The Z-34/62/82 Bracket shall allow mounting on an inswinging door. The Z-34/62/82 Bracket shall include a cover which gives the installation an architecturally attractive finished appearance. The Z-34/62/82 Bracket shall be available in three different finishes: Brushed Stainless Steel, Clear Anodized Aluminum and Black Anodized Aluminum.

Securitron model Z-34/62/82 Bracket.

Rev 12-10-01